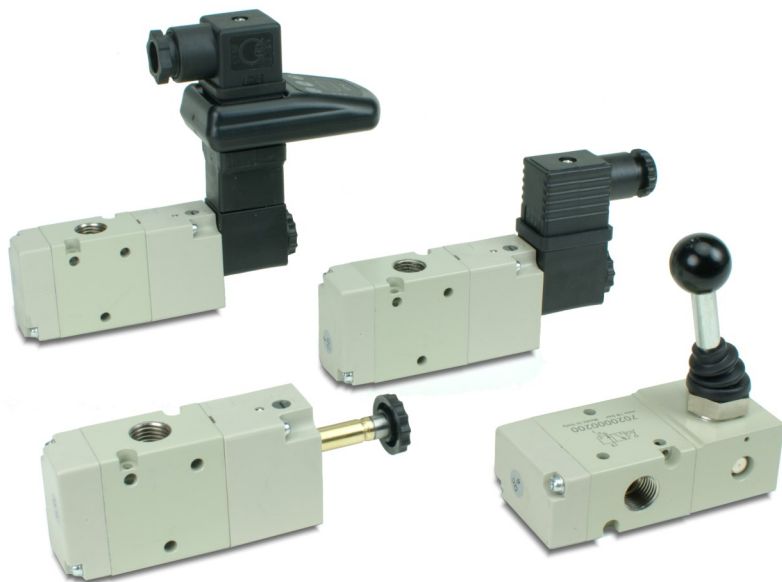



Solenoid Valve



- Optimal activation of vibrators
- Manual Operation
- 24V DC or 230V
- Timer Controlled
- Easy installation
- ATEX zone 1, 2, 21 & 22 

Pneumatic vibrators have mechanical parts to be put in motion to achieve vibration.

To ensure an optimal start & stop actuation of pneumatic vibrators, we recommend using solenoid valves.

We offer a wide range of properly sized solenoid valves for all types of solutions and can help you to find a solenoid valve to just your solution!

Technical Information		1/8" Solenoid Valve	1/4" Solenoid Valve	1/2" Solenoid Valve
Thread on the valve ports		1/8"	1/4"	1/2"
Operating pressure:				
▶ Monostable	bar		2,5 til 10	
▶ Bistable	bar		1 til 10	
Minimum pilot pressure	bar		2,5	
Operating temperature range	°C.		-10 til +60	
Nominal diameter	mm.	5	7,5	15
Conductance C	Nl/min. - bar	121,43	264,26	971,43
Critical ratio b	bar / bar	0,32	0,27	0,43
Flow rate at 6 bar ΔP 0,5 bar	Nl/min.	400	750	3200
Flow rate at 6 bar ΔP 1,0 bar	Nl/min.	550	1100	4600
Installation		In any position (vertical assembly is not recommended for bistable valves subjected to vibration)		
Fluid		Filtered air without lubrication; lubrication, if used, must be continuous		
Recommended lubricant		ISO and UNI FD22 - eg. Energol HLP 22 (BP) - Spinesso 22 (Esso)		
Maximum coil nut torque	Nm.		1	

Solenoid Valve

3/2 Way Solenoid Valve for electric Coil

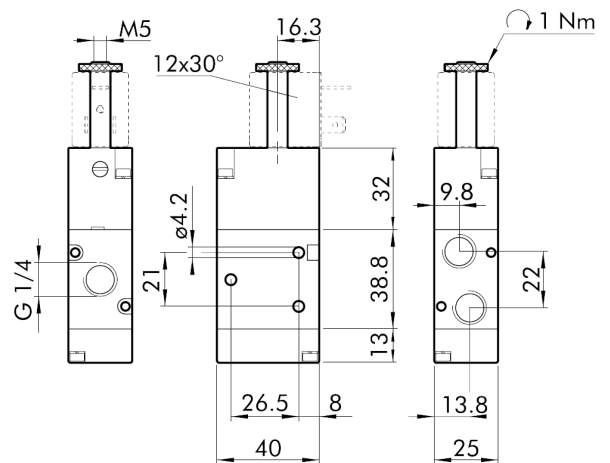
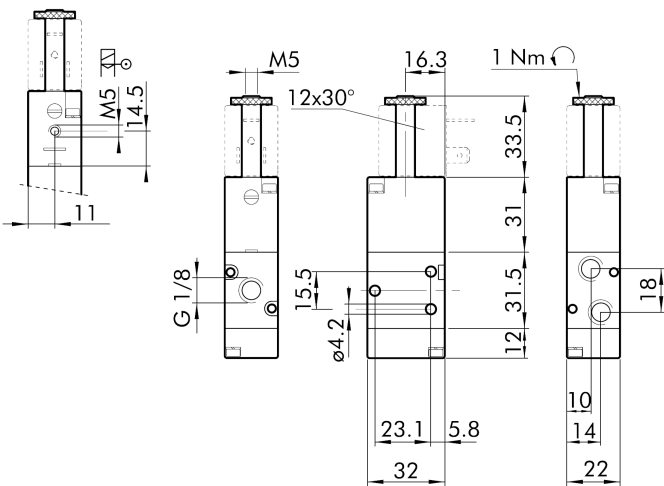
1/8" - 1/4" - 1/2"

- Standard as "Normal Open" Can be supplied as "Normal Closed"
- Installation with a 22 mm. Electric Coil
- Can be supplied as 5/2 way or 5/3 way
- Mechanical Reset
- Ambient Temperature -10° C. til +60° C.
- Can be supplied as ATEX Ex II 2 GD c T5 100°C (Zone 1,2 & 21,22)

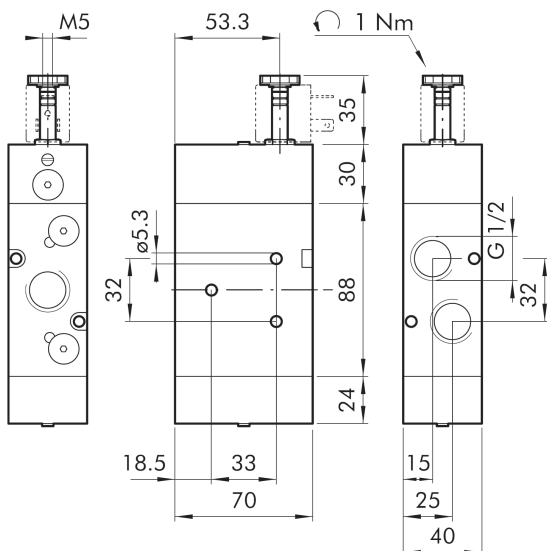


1/8" Solenoid Valve

1/4" Solenoid Valve



1/2" Solenoid Valve



Solenoid Valve

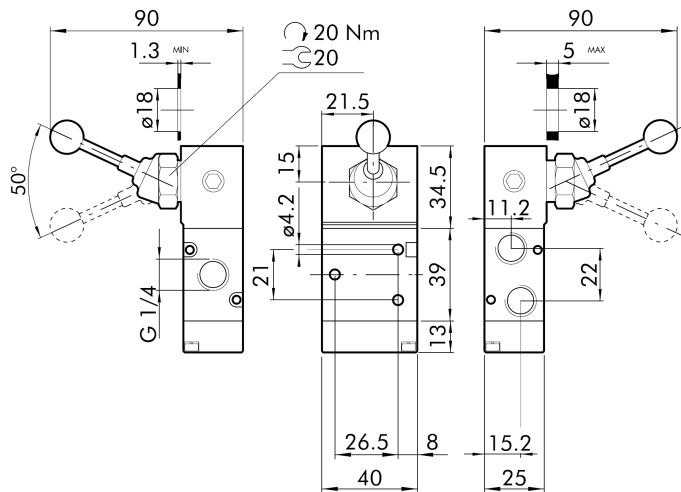
3/2 Way Solenoid Valve for Manual Operation

1/4" - 1/2"

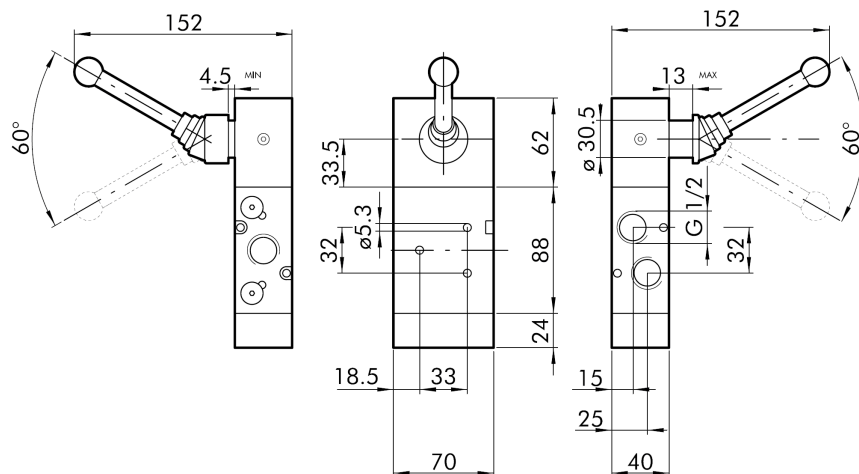
- Standard as "Normal Open" Can be supplied as "Normal Closed"
- Supplied with a operating joystick
- Can be supplied as 5/2 way or 5/3 way
- Mechanical Reset
- Ambient Temperature -10° C. til +60° C.
- Can be supplied as ATEX Ex II 2 GD c T5 100°C (Zone 1,2 & 21,22)



1/4" Solenoid Valve



1/2" Solenoid Valve



Solenoid Valve

3/2 Way Solenoid Valve for Digital Timer

1/8" - 1/4" - 1/2"

- Fitted with a small digital timer for accurately timer control of pneumatic vibrators
- Standard as "Normal Open" Can be supplied as "Normal Closed"
- Installation with a 22 mm. Electric Coil
- Can be supplied as 5/2 way or 5/3 way
- Mechanical Reset



- Sturdy small and simple Timer
- Used as a control for solenoid valves
- Time control: 0.1 seconds to 99 hours
- LED illuminated display
- Option for 4 Timing programs
- Connector: DIN 43650 - A/ISO 4400
- 115 to 240 Volt AC/DC 50/60 Hz
- 10 to 48 Volt AC/DC 50/60 Hz

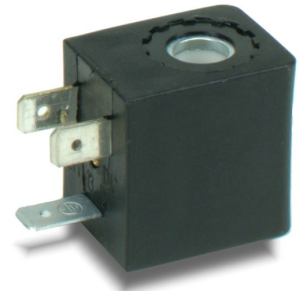
Please request product sheet for more information about the Digital Timer



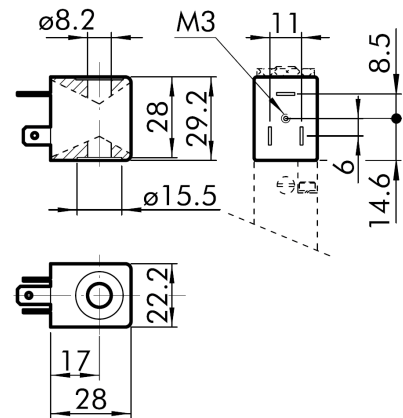
Solenoid Valve

Coils for Solenoid Valves

- Standard size 22mm. (Can be supplied as 30mm.)
- For $\varnothing 8\text{mm}$. mandrel
- Voltage tolerance: -10% +15%
- Insulation class: F115
- Degree of protection: IP65 EN60529 with connector
- Avoid prolonged exposure to the atmospheric agents
- Coil temperature 100% ED: from 70°C to 20°C – Ambient temperature
- According to Atex 94/9 CE rule, group 2, category 3 GD (Zone 2 & 21,22)
- Can be supplied for UL, UR & CSA to north American



Model	Nominal voltage	Absorption	
		Inrush	Holding
12 Volt DC - 2W	12Vcc	2W	2W
24 Volt DC - 2W	24Vcc	2W	2W
24 Volt AC - 3,5VA	24V 50/60 Hz	5,3VA	3,5VA
110 Volt AC - 3,5VA	110V 50/60 Hz	5,3VA	3,5VA
220 Volt AC - 3,5VA	220V 50/60 Hz	5,3VA	3,5VA

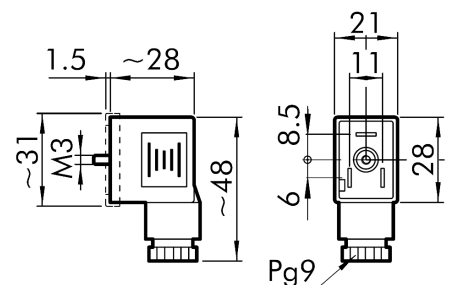


Cabel Connector for Solenoid Valves

- Standard size 22mm. (Can be supplied as 30mm.)
- Can supplied as ATEX Ex II 3 GD (Zone 2 & 21,22)



Model	Color	Cable Diameter
Standard	Black	PG9
LED 24 V	Transparent	PG9
LED 110 V	Transparent	PG9
LED 220 V	Transparent	PG9
ATEX	Black	PG9





As a natural part of our product range, we can supply all kinds of relevant pneumatic components used in conjunction with our pneumatic vibrators.

- **Pedal operated valve** for hands-free activation of the pneumatic vibrators
- **Hose couplings** For any standard pneumatic hose connection
- **Tube** made in nylon or PUR in any size for Push-In fittings
- **Fittings** for Push-In or Push-On systems in all variations and sizes
- **Throttle Valves** for the adjustment of the inlet or the outlet pressure of the pneumatic vibrators
- **Solenoid Valves** for activating the pneumatic vibrators - Electrical 24V or 230V, pneumatic and manual operation
- **Silencers** to reduce the noise level - made in plastic, sintered bronze or with throttling for adjustment of the amplitude

Please contact us for further information or technical documentation on phone +45 5687 0723 or info@luftvibrator.dk