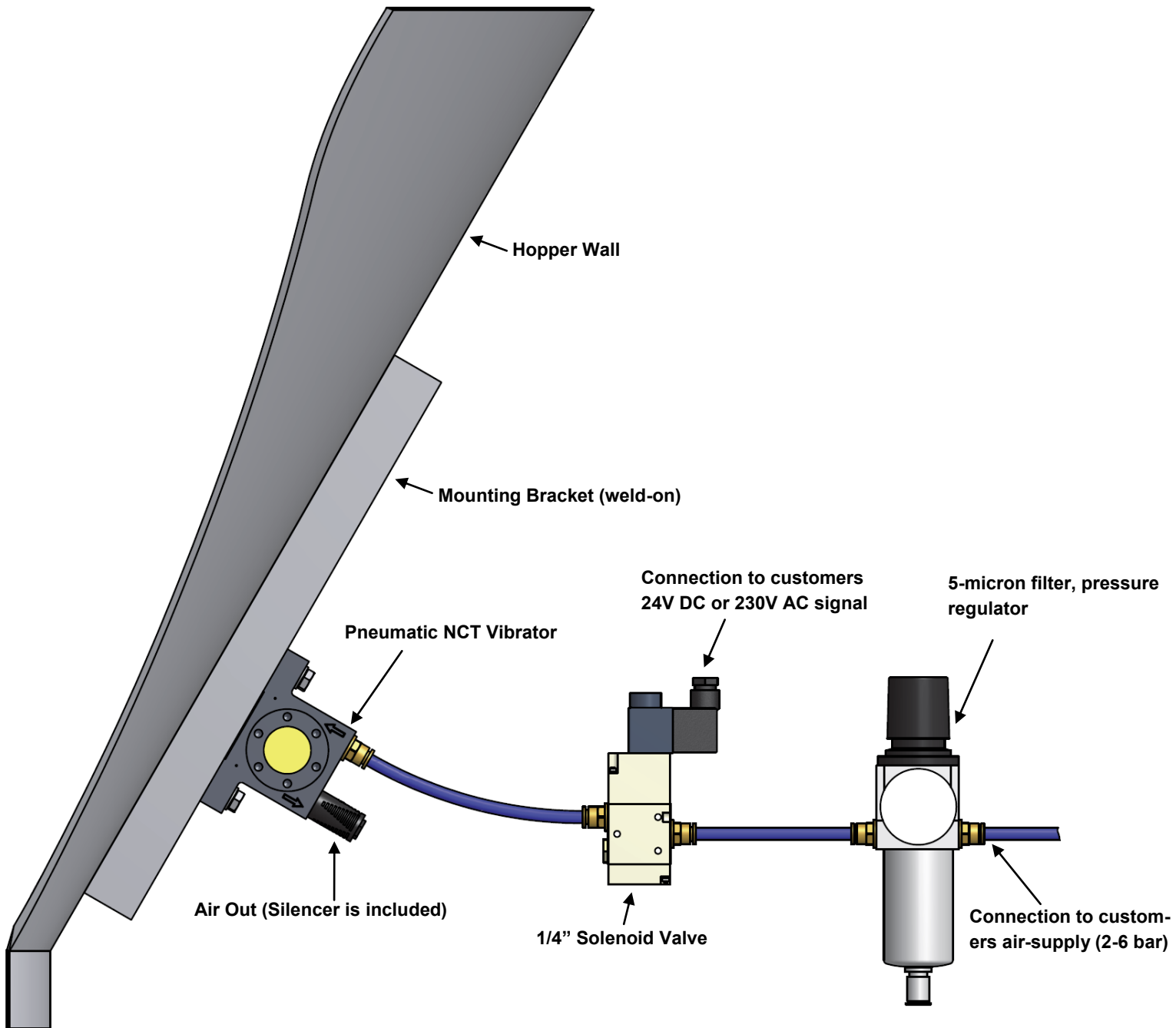




- **Ensure a smooth installation**
- **Better performance**
- **Extended longevity**



# NCT Installation Guide



- NCT vibrator is recommended always to be mounted on a welded bracket for installation on vessels or pipes. This will minimize the risk on the installation location against metal fatigue fracture, and ensure a much better distribution of vibration-energy on a larger area.
- When installing the NCT vibrator on a hopper outlet (as shown), the vibrator should be positioned approx. 1/3 up from the bottom of the total length of the hopper.

# NCT Installation Guide

## Recommendations for installation and operation of NCT Vibrators

Follow these advices, and the commissioning will be completely seamless

### Start & stop activation

Always use a solenoid valve for start & stop activation of NCT Vibrators.

We can on request provide the necessary 3/2 way solenoid valve for activation with compressed air - 24V DC - 230V or manual operation. There should not be more than 15 meters air hose between the solenoid valve and the NCT Vibrator.

### The pressure

The pressure should be set with a locally installed filter regulator, to ensure the correct pressure.

We can on request provide filter pressure regulators.

### Compressed air

Air quality and purity has great influence on NCT Vibrators function and longevity.

Even if the customer has a good quality air, so we always recommend installing a local filter regulator, as always to ensure correct pressure and filter dirt particles away.

We can on request provide filter regulators.

### Air pressure hose

NCT Vibrators is driven by the energy of compressed air.

The compressed air should always be supplied to the vibrator with a  $\varnothing 8$  mm. approved compressed air hose.

We can on request provide compressed air hoses in all diameters and lengths.

### Brackets

To prevent damage to the installation site, it is very important to weld a bracket on site. It also ensures a better distribution of the impacts for a larger area.

The bracket mounting surface must be perfectly level to ensure a full connection with the base of the vibrator

### Lubrication

The NCT Vibrators shall NOT be operated with lubricated compressed air.

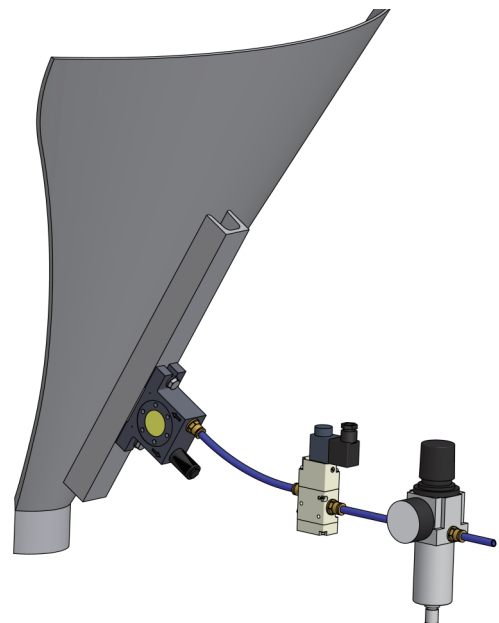
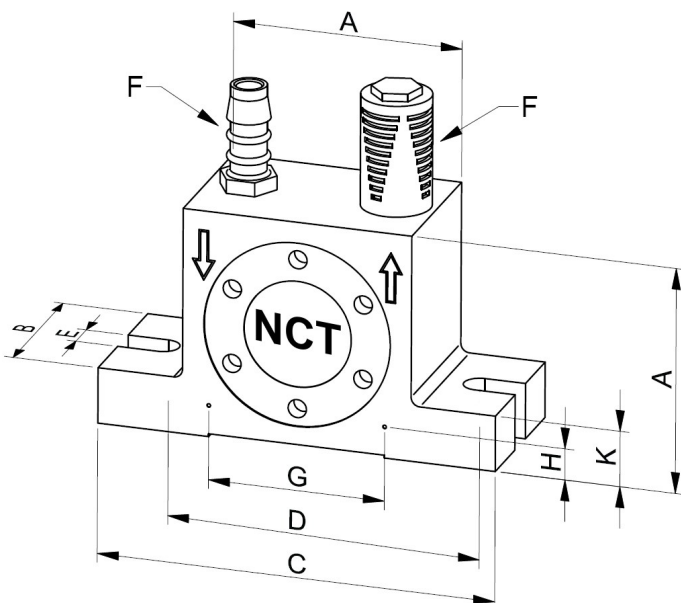
### Silencer (Muffler)

The included black silencer is reducing the noise level significantly, and prevent foreign particles from entering the vibrators mechanical parts.

If it is not permitted to let the exhausted oil lubricated air into the environment, then exhausted air can easily be routed away from the area with a hose.

**If you have further questions about installation or operation of NCT vibrator, please do not hesitate to contact us!**

**Phone +45 56 87 07 23 or e-mail: [info@luftvibrator.dk](mailto:info@luftvibrator.dk)**





### Air treatment Units

Take full control over adjustment and compressed air quality with modular filter regulator and mist lubrication

Available in many sizes and combinations for all our pneumatic vibrators.



### Solenoid Valve

The best solution for start & stop actuation of pneumatic vibrators

Available in many sizes and combinations for all our pneumatic vibrators



### Springs

Stainless steel compression springs ensure the effective isolation of vibration in machinery and equipment so that only the desired components is vibrated.

Available in many sizes



### Timer Control

For automated activation of vibrators, small and simple time control of vibrators.

Available electric 24V & 230V or pneumatic



### Vibration Damper

With its low build-in height made in rubber, it easily integrated with existing machinery parts, thus providing an effective isolation of vibration.



### Fittings & Tubing

All types and sizes of fittings, tubing, silencers and throttling valves can be supplied for complete solutions.